

Data Sheet

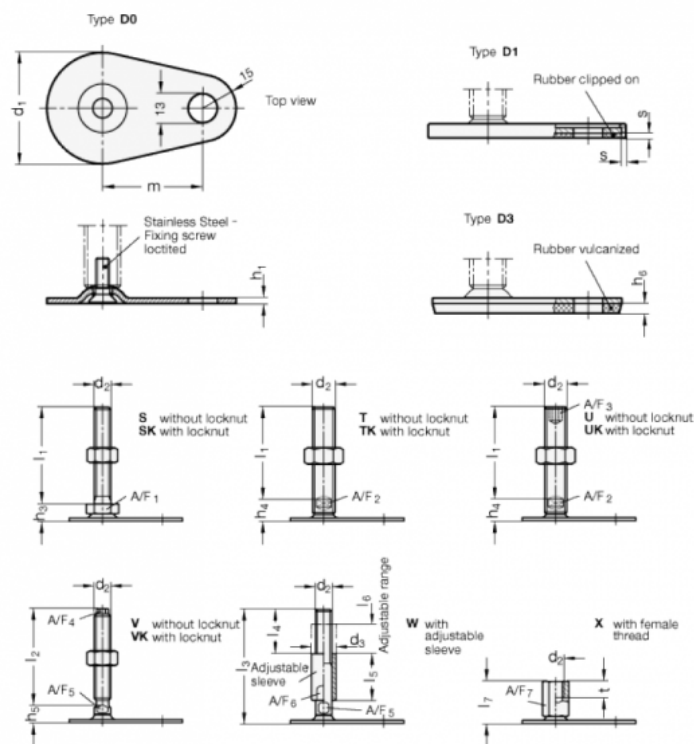


Article number: 204380M12100D0S

Description: E+G levelling foot
GN 43-80-M12-100-D0-S

Note: S Without nut, External hexagon at the bottom

Measures



A/F1 = 17

s =

d1 = 80

d2 = M12

h1 = 3

h3 = 12

h6 =

l1 = 100

m = 70